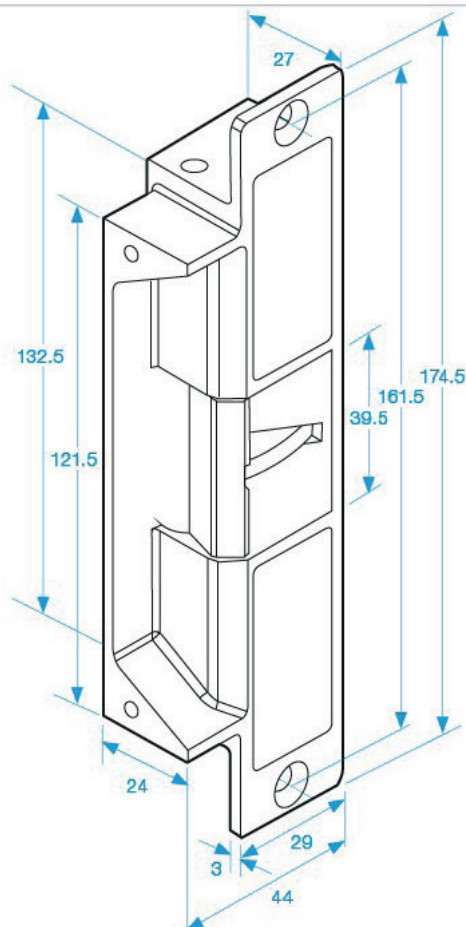


GK700

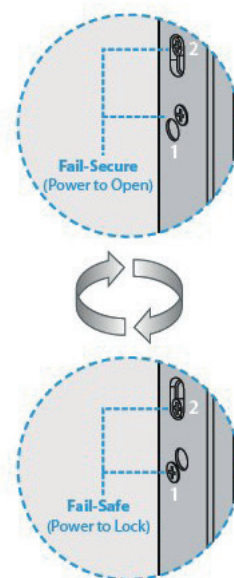
Monitored Electric Release

- Operating voltage 12~24Vac/Vdc
- Fail-Safe/Fail-Secure (Selectable)
- High security
- Dual monitored lock and cam



FLEXIBLE SOLUTIONS

The GK700 electric strike can easily change between Fail-Safe and Fail-Secure modes. This unique design enables distributors to reduce inventory and still meet varying needs and requirements of end users.



5%
at 12Vdc, 140A
re 20°C).

- Operating temperature: -10~45°C (14 to 131°F).
- Lock's surface temperature: Current temperature $\pm 20\%$ (when power is on).

- Humidity: 0~95% non-condensing.
- Tested to 1,000,000 cycles
- 2000lbs jaw strength pull testing.